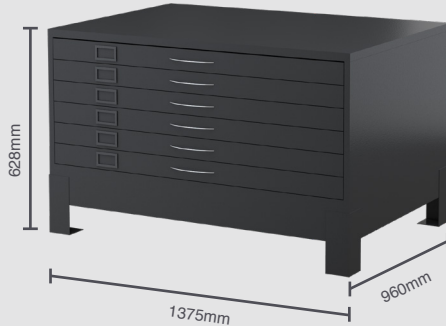




STEELCO PLAN CABINET

Steelco heavy-duty Plan Cabinets are designed specifically to store and protect plans, drawings, and maps. The drawer size allows for paper up to size A0 (841 x 1189 mm) to fit without bending.

1300 272 657
OLP.COM.AU



PLAN CABINET

PRODUCT INFORMATION

FEATURES

- Capable of storing documents up to the size of A0 (841 x 1189 mm)
- Units can be efficiently stacked two high to double the storage capacity
- Heavy Duty ball bearing runners allow complete access to the drawers
- Easy to identify labels can be fitted into the label holders on each drawer
- Each drawer is fitted with a drawing sheet depressor lip to secure documents
- 15kg shelf capacity uniformly distributed load (UDL)
- Quality powder coated finish
- Custom colours available on request
- 10-year product warranty

STOCK COLOURS



Custom colours available on request, contact your local sales representative for more information.

TECHNICAL SPECIFICATIONS

| CODE | DESCRIPTION | DIMENSIONS |
|-------|---|---------------------|
| PC6D | Steelco Plan Cabinet - 6 Drawer Unit | 628H x 914W x 463D |
| PC6DS | Steelco Plan Cabinet - 6 Drawer Unit with Stand | 870H x 1375W x 960D |

*Due to OLP's local manufacturing capability, different configurations and sizes can be supplied upon request to suit nearly any office environment correctly. Please contact your sales representative for further information.