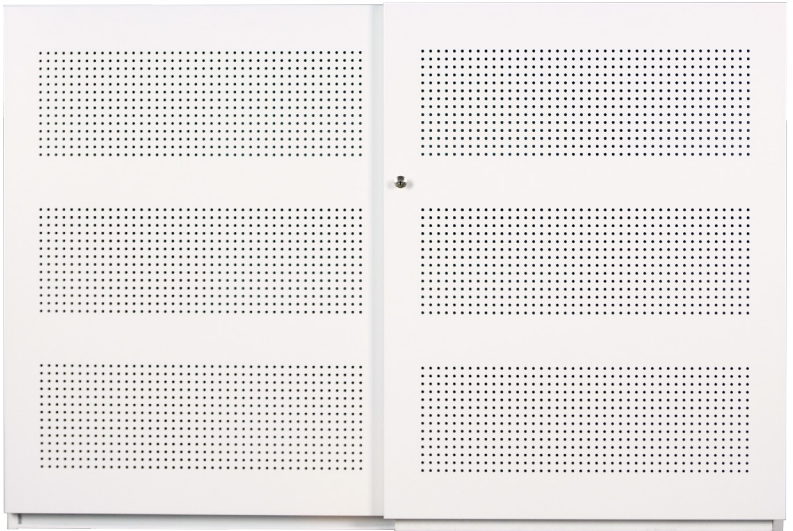




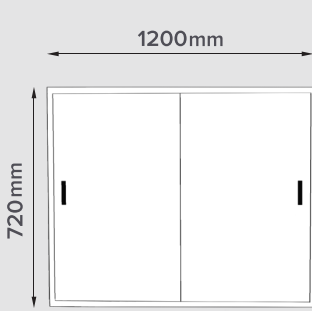
op



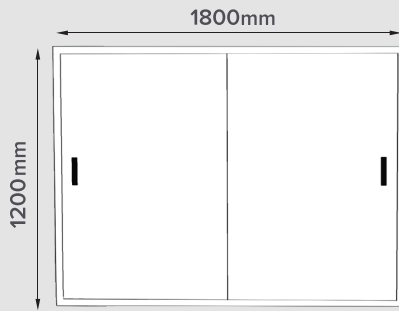
ACOUSTIC CABINET

Our Sliding Door Cabinets can be fitted with an acoustic-rated sound-absorbing material to minimise noises in the workplace, hidden behind a perforated pattern.

1300 272 657
OLP.COM.AU



1200mm WIDE CABINET



1800mm WIDE CABINET

PRODUCT INFORMATION

FEATURES

- Suitable for walkways or small aisle spaces without causing interference or obstruction when in use
- Fitted with barrel exchange locks
- Soft-close door mechanism is fitted to create a quiet environment
- Shelves are easily adjustable and can be positioned in 32mm increments
- Acoustic paneling reduces reverberation & echo by absorbing traveling sounds
- 40kg shelf capacity uniformly distributed load (UDL)
- Internal adjustable leveling feet
- Dual-sided access also available to front and back of cabinets
- 10-year product warranty

STOCK COLOURS



Custom colours available on request, contact your local sales representative for more information.

TECHNICAL SPECIFICATIONS

HEIGHT	WIDTH	DEPTH
720mm	1200mm	500mm
1015mm	1600mm	
1200mm	1800mm	
1675mm	2000mm	
2000mm		

*Due to OLP's local manufacturing capability, different configurations and sizes can be supplied upon request to suit nearly any office environment correctly. Please contact your sales representative for further information.

ACCESSORIES

- Pull-Out Reference Shelf
- Pull-Out File Frame
- Pull-Out Drawer
- Planter Box